



Mallory Sonalert Products, Inc.

Part #: **FL1M-6CW-2-MX**
6mm Panel Light

Sales Outline Drawing

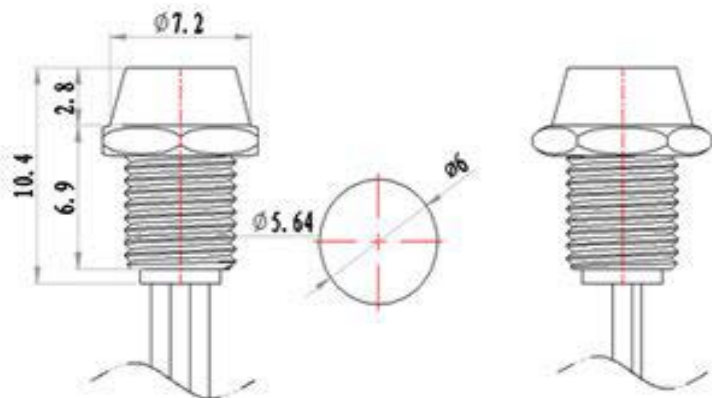
Revision: **A**

Specifications:

Panel Hole	6 mm
Voltage Type	DC
LED Color Available	Red, Green, Blue, Yellow, or White
Lens Color	Same as LED
Rated Voltage Available	See table below
Max Current Draw	20 mA
Storage & Operating Temperature	-20 °C to +85 °C
Ingress Protection Rating	IP50
LED Life	70,000 hours
Weight (Typical)	4.3 g
Housing Material	Nickel-plated Brass, PA66, and Polycarbonate
Termination Type	Molex Micro-Fit 3.0 PN: 43025 Mates with:43020-0201
Wire Specification	7.3" (185 mm) PVC AWG24
Max Nut Torque	5.9 ft-lbs (8 Nm)
Panel Thickness	0.04-0.16" (1-4mm)
Hardware Kit	LM6-2

RoHS Compliant

Dimensions (mm):



Part Number:

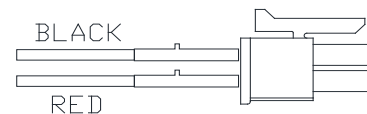
FL1M-6CW-2-X#V-MX

B=Blue
 G=Green
 R=Red
 Y=Yellow
 W=White

Rated Voltage

With Connector

Connector: Insert as shown



Length for reference only.
Lead color: Black and Red

	Light Intensity	Dominant Wavelength	Viewing Angle
Red	1000 -1500 mcd	622 nm	35°
Green	8000 -10000 mcd	522 nm	60°
Yellow	1000 -1500 mcd	590 nm	35°
Blue	2000 - 3000 mcd	464 nm	35°

Rated Voltage	2 VDC	3 VDC	6 VDC	12 VDC	24 VDC	48 VDC	110 VDC	220 VDC	380 VDC
Red	1.8-2.2V	2.7-3.3V	5.4-6.6V	10.8-13.2V	21.6-26.4V	43.2-52.8V	99-121V	198-242V	342-418V
Green	N/A	3-3.2V	5.4-6.6V	10.8-13.2V	21.6-26.4V	43.2-52.8V	99-121V	198-242V	342-418V
Blue	N/A	3.12-3.2V	5.4-6.6V	10.8-13.2V	21.6-26.4V	43.2-52.8V	99-121V	198-242V	342-418V
Yellow	2-2.2V	2.7-3.3V	5.4-6.6V	10.8-13.2V	21.6-26.4V	43.2-52.8V	99-121V	198-242V	342-418V
White	N/A	3-3.2V	5.4-6.6V	10.8-13.2V	21.6-26.4V	43.2-52.8V	99-121V	198-242V	342-418V