



Mallory Sonalert Products Inc.

Part # AST0827MW-03Q

Sales Outline Drawing

Revision C

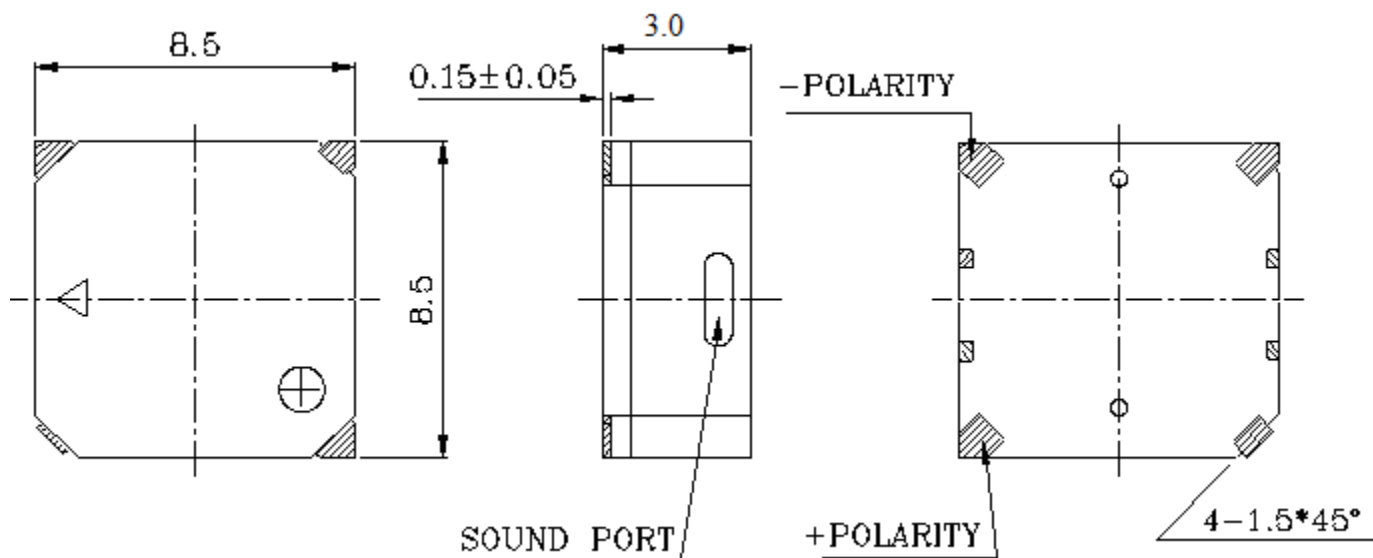
May not be suitable for all medical and aerospace applications. Specifications: Contact Mallory Sonalert to discuss your application.

NO CIRCUITRY

Oscillation Frequency (Hz)	2731
Operating Voltage (Vp-p)	2 ~ 4
Rated Voltage (Vp-p)	3
Current Consumption Max. (mA)	80 at Rated Voltage
Sound Pressure Level (dB/min)	85 at 10cm at Rated Voltage
Coil Resistance (Ω)	16 ± 3
Operating Temperature (°C)	-20 ~ +70
Storage Temperature (°C)	-30 ~ +80
Type of Connection Terminal	SMD
Housing	LCP plastic resin (Color : Black)
Weight (Grams)	0.8
Condition by reflow soldering (°C)	250 ± 5 / within 10 sec
Condition by hand soldering (°C)	350 ± 20 / within 5 sec
Options	For other options contact factory

Dimensions: (units: mm)

RoHS Compliant



Packaging:

Parts are supplied on cut tape.

Units do not come with wash label and are not appropriate for aqueous wash.