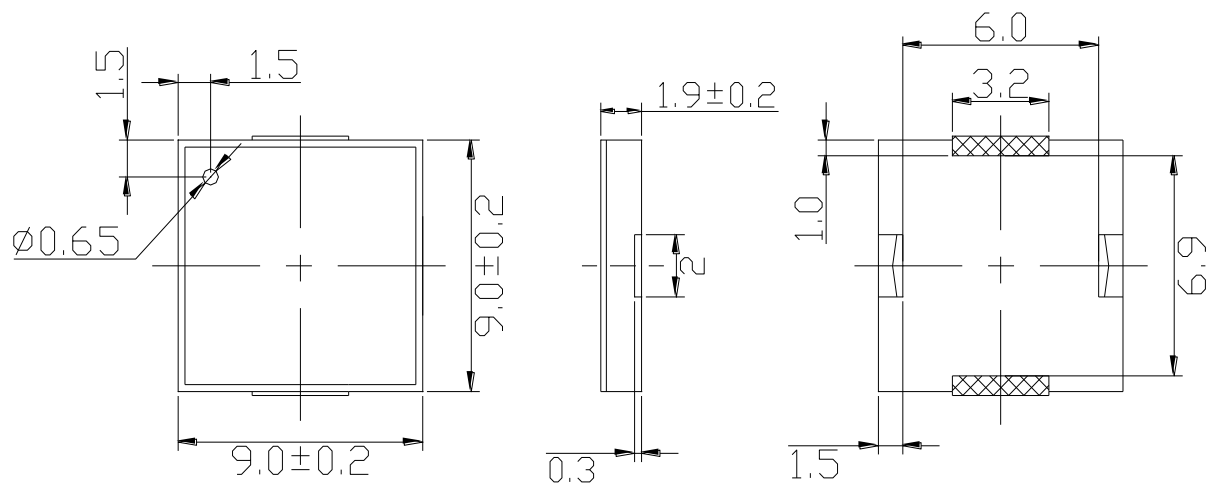


**May not be suitable for all Medical and Aerospace applications.
Contact Mallory Sonalert to discuss your application.**

NO CIRCUITRY

Resonant Frequency (Hz)	4000
Operating Voltage (Vp-p)	1 ~ 25
Rated Voltage (Vp-p)	3.0
Current Consumption Max. (mA)	5 at 3 Vp-p
Sound Pressure Level Min. (dB)	70 at 10cm at 3 Vp-p
Capacitance (pF)	12,000 ±30%
Operating Temperature (°C)	-40 ~ +85
Storage Temperature (°C)	-40 ~ +85
Housing	LCP Plastic Resin (Color: Black)
Type of Connection	SMD
Condition by wave soldering (°C)	260 ±5 / within 5 sec
Condition by hand soldering (°C)	350 ±20 / within 5 sec
Weight (Grams)	0.2
Options	For other options contact factory

Dimensions: (units: mm)**ROHS Compliant****NO CIRCUITRY****Packaging:** Parts are supplied on cut tape.

Units do not come with wash label and are not appropriate for aqueous wash.