



**Mallory Sonalert Products, Inc.**

Part #:

**JT120-G-CD**

**Sales Outline Drawing**

Revision:

**C**

**Specifications:**

Stack Number:	1				
LED Color:	GREEN				
Connection Wires:	Green and Brown				
LED Current Draw:	<190 mA				
Rated Voltage:				120 VAC	
Operating Voltage:				90-120 VAC	
Total Max Current:				<190mA	
Operating Temperature:				-25° ~ +60°C	
Lens Color:				Opaque White	
Material:				ABS FR15U	
Mounting Method:				Direct Mount using 1/2" NPT Stainless Steel Pipe and Nut	
Weight Typical (g):				165	
NEMA 12:				Approved	
Options:				Please contact factory.	

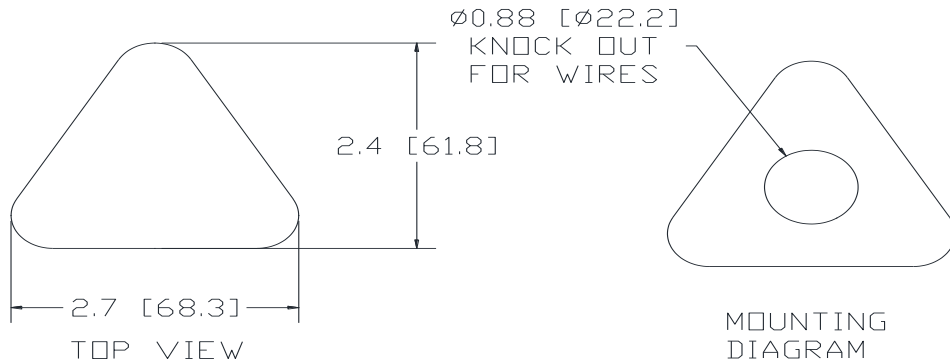
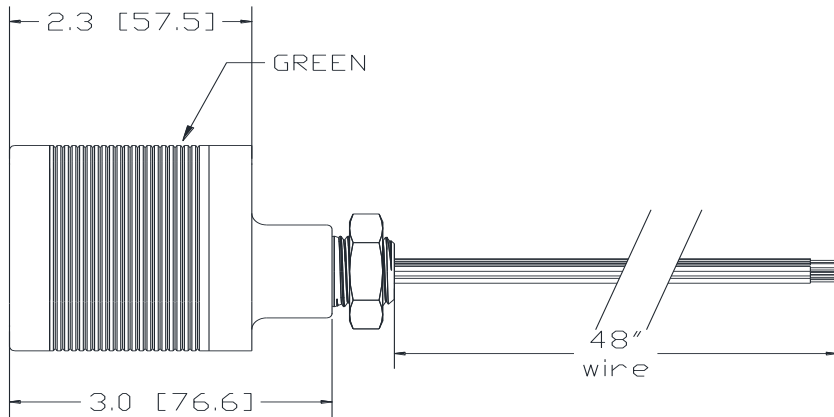
**Dimensions:**

Inches (mm)

**cUL Recognized**

**ROHS Compliant**

PATENT NUMBER D898600



**LED OPERATION:** CONNECT STACK COLOR WIRE TO POWER AND BROWN WIRE TO POWER.