

**cUL Recognized to IEC60601-1-8 3rd Edition Amendment 2  
Tables 3 and 4  
General Melody**

|                        |   |   |   |  |
|------------------------|---|---|---|--|
| <b>Specifications:</b> |   |   |   |  |
| Sound Level Category:  | Silent  | Loud  | Loud  | Loud   |
| Mode of Operation:     | Silent  | Continuous                                      | Medium Pulse @ 5PPS                             | High Priority Alarm 10 beeps repeating every 2.5 seconds |
| Loudness @ 10cm:       | Silent  | 85 to 95 dB(A) Typ.                             | 85 to 95 dB(A) Typ.                             | 85 to 95 dB(A) Typ.                                      |
| Frequency:             | Silent  | 2500 ± 300Hz                                    | 2500 ± 300Hz                                    | 150 to 4000 Hz   |
| Connection:            | Connect "+" to "+" & "-" to "-" of Power Supply | Connect "+" to "+" & "-" to "-" of Power Supply | Connect "+" to "+" & "-" to "-" of Power Supply | Connect "+" to "+" & "-" to "-" of Power Supply          |
| Average Current Draw:  | <20mA Typ.                                      | <225mA Typ.                                     | <225mA Typ.                                     | <150mA Typ.  |
| Voltage Rating:        | 2.7 - 5.5 VDC                                   |   |   |  |
| Ipk Current*:          | 400mA   |   |   |  |
| Housing Material:      | Valox (UL94V-0), Octagonal, Black               |   |   |  |
| Storage Temperature:   | -30° to +60° C                                  |   |   |  |
| Operating Temperature: | -30° to +55° C                                  |   |   |  |
| Weight Typical:        | 6.0g  |   |   |  |
| Options:               | Please contact factory.                         |   |   |  |

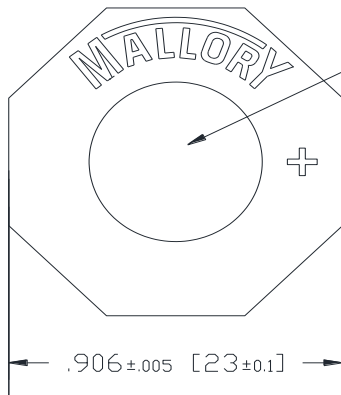
**Dimensions:**

Inches [mm]

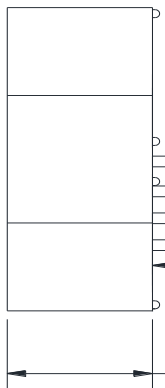
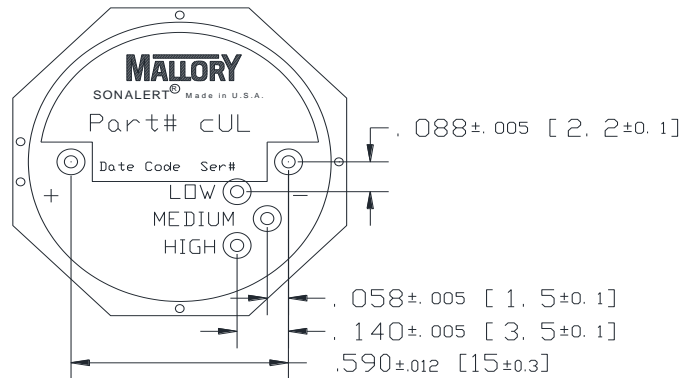
**cUL Recognized**

**ROHS Compliant**

PATENT NUMBER: 7880593



EMISSION HOLE



NOTE A:  
TERMINALS - .031" DIA. NICKEL/TIN COATED BRASS.

NOTE B:  
MOUNTING- INSERT INTO PRINTED CIRCUIT BOARD AND HAND OR MACHINE SOLDER. UNITS ARE SUITABLE FOR WAVE SOLDERING. BOARDS ARE NOT SUITABLE FOR WASH. RECOMMENDED MAXIMUM TEMPERATURE AND TIME DURATION FOR WAVE SOLDERING IS +270°C AND 3 SECONDS RESPECTIVELY.

\*Ipk = Instantaneous Peak