

**Sales Outline Drawing**

Revision **C**

**May not be suitable for all medical and aerospace applications.  
Specifications: Contact Mallory Sonalert to discuss your application.**

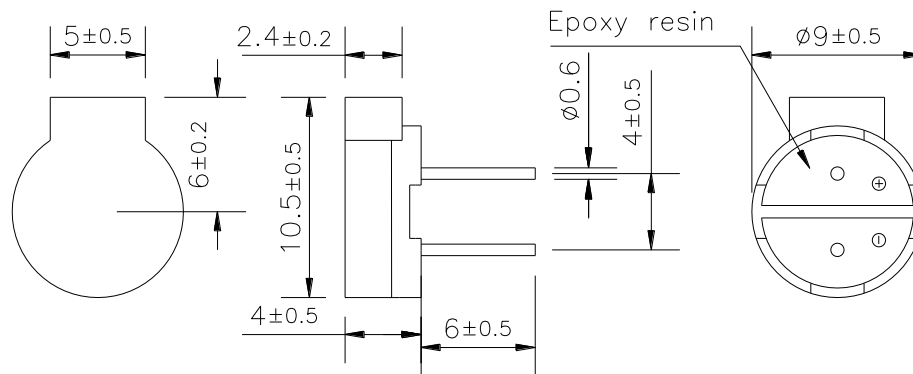
**NO CIRCUITRY**

Oscillation Frequency (Hz)	2731
Operating Voltage (Vp-p)	4.5 ~ 5.5
Rated Voltage (Vp-p)	5.0
Current Consumption Max. (mA)	70 at Rated Voltage
Sound Pressure Level (dB/min)	85 at 10cm at Rated Voltage
Coil Resistance ( $\Omega$ )	$30 \pm 3$
Operating Temperature ( $^{\circ}\text{C}$ )	$-30 \sim +70$
Storage Temperature ( $^{\circ}\text{C}$ )	$-40 \sim +80$
Lead Pin	Tin Plated Brass
Housing	PPO plastic resin (Color: Black)
Weight (Grams)	0.5
Condition by wave soldering ( $^{\circ}\text{C}$ )	$245 \pm 5 / 3 \pm 0.5$ sec
Condition by hand soldering ( $^{\circ}\text{C}$ )	$350 \pm 20 /$ within 5 sec
Options	For other options contact factory

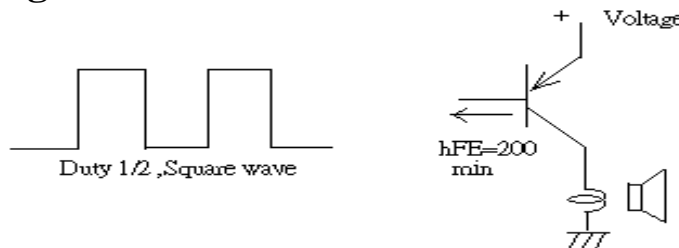
PS: Vp-p = 1/2duty, square wave

**RoHS Compliant**

**Dimensions:** (units: mm)



**Recommended Driving Circuit:**



**The base current  $I_b$  should be high enough so that it saturates the collector current of the transistor with the CB load.**