



Mallory Sonalert Products, Inc.

Part #:

SBT12DMFL

Sales Outline Drawing

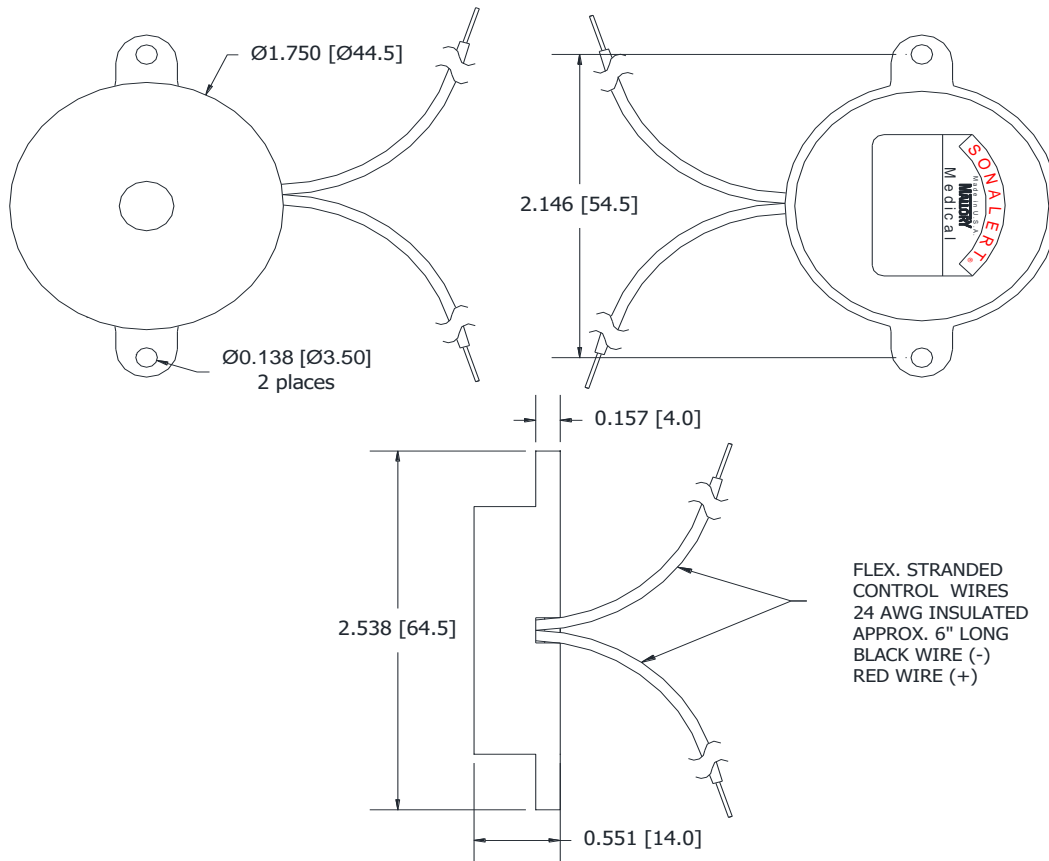
Revision:

C

Specifications:	cUL Recognized to IEC60601-1-8 AMD1 Drug or Fluid Delivery Melody - Medium Priority Only
Sound Level Category:	Loud
Mode of Operation:	Medium Priority Alarm - 3 beeps repeating every 7.5 sec
Voltage Rating:	9 to 12 VDC
Frequency:	150 to 4000 Hz
Loudness @ 10cm:	85 to 95 dB(A) Typ.
Average Current Draw:	<25mA Typ.
Ipk Current*:	75mA
Housing Material:	ABS 777D Plastic Resin, Black
Storage Temperature:	-40° to +85° C
Operating Temperature:	-30° to +65° C
Weight Typical:	0.6 oz (17g)
Options:	Please contact factory.

Dimensions: Inches (mm) **cUL Recognized** **ROHS Compliant**

PATENT NUMBER: 7880593



*Ipk = Instantaneous Peak

tolerances: ± 0.01 [± 0.3]
 ± 0.005 [± 0.1]