



Mallory Sonalert Products, Inc.

Part #:

SBT5TMPC

Sales Outline Drawing

Revision:

D

Specifications:

**cUL Recognized to IEC60601-1-8 AMD1
Temp/Energy Delivery Melody - Medium Priority Only**

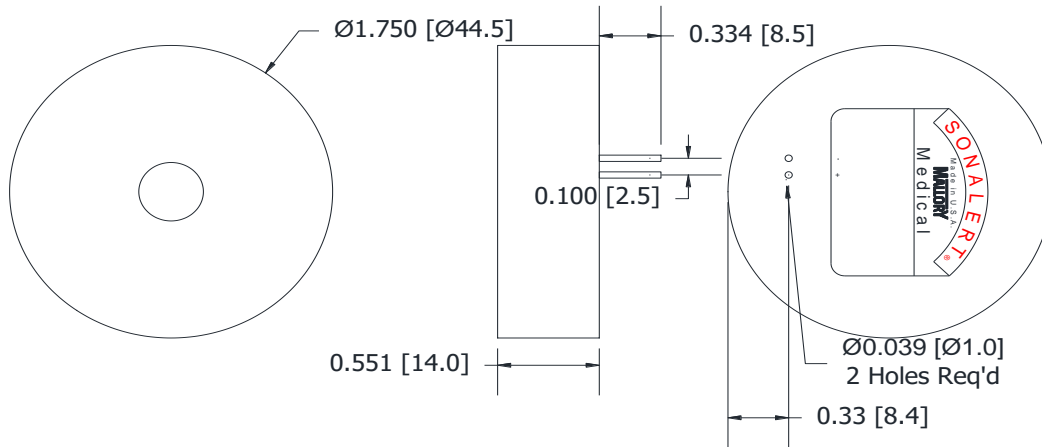
Sound Level Category:	Loud
Mode of Operation:	Medium Priority Alarm - 3 beeps repeating every 7.5 sec
Voltage Rating:	3.3 to 5 VDC
Frequency:	150 to 4000 Hz
Loudness @ 10cm:	85 to 95 dB(A) Typ.
Average Current Draw:	<35mA Typ.
Ipk Current*:	300mA
Housing Material:	ABS 777D Plastic Resin, Black
Storage Temperature:	-40° to +85° C
Operating Temperature:	-30° to +65° C
Weight Typical:	0.6 oz (17g)
Options:	Please contact factory.
Condition by wave solder (°C)	260 ± 5 within 5 sec
Condition by hand solder (°C)	350 ± 20 within 5 sec

Dimensions: Inches (mm)

cUL Recognized

ROHS Compliant

PATENT NUMBER: 7880593



*Ipk = Instantaneous Peak

tolerances: ± 0.01 [± 0.3]
 ± 0.005 [± 0.1]